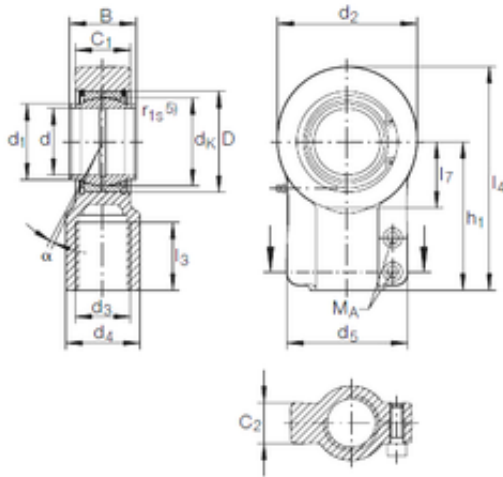




LEDONG Machinery Co., Ltd.



110 mm x 160 mm x 110 mm INA GIHN-K 110 LO plain bearings

Bearing No. GIHN-K 110 LO

GIHN-K 110 LO Bearing 2D drawings and 3D CAD models

Size	110x160x110 mm
Bore Diameter	110 mm
Outer Diameter	160 mm
Width	110 mm
d	110 mm
D	160 mm
B	110 mm
Screw	M20X60
d1	124 mm
d2	235 mm
d4	125 mm
dk	140 mm
h1	235 mm
l3 min.	106 mm
l4 max.	364 mm
l7 min.	105 mm
C1	88 mm
Thread (G)	M90X3
Angle	4 °
d5	190 r/min
C2	62 mm
Weight	32 Kg
Basic dynamic load rating (C)	655 kN