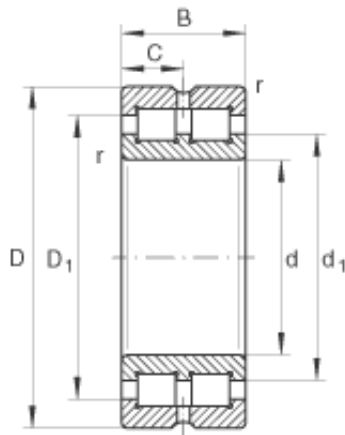




# LEDONG Machinery Co., Ltd.



180 mm x 250 mm x 69 mm INA SL014936  
cylindrical roller bearings

Bearing No. SL014936

SL014936 Bearing 2D drawings and 3D CAD models

Size	180x250x69 mm
Bore Diameter	180 mm
Outer Diameter	250 mm
Width	69 mm
d	180 mm
D	250 mm
B	69 mm
C	34,5 mm
D <sub>1</sub>	224,1 mm
d <sub>1</sub>	204,9 mm
r <sub>min</sub>	2 mm
	NNC4936V / Designation to DIN 5412
m	10,8 kg / Weight
C <sub>r</sub>	570000 N / Dynamic load rating (radial)
C <sub>0r</sub>	1200000 N / Static load rating (radial)
C <sub>ur</sub>	147000 N / Fatigue limit load, radial
n <sub>G</sub>	1480 1/min / Limiting speed
Category	Roller Bearings
Inventory	0.0
Manufacturer Name	SCHAEFFLER GROUP
Minimum Buy Quantity	N/A
UNSPSC	31171547



## LEDONG Machinery Co., Ltd.

Weight / Kilogram	10.8
EAN	4047643174961
Product Group	B04144