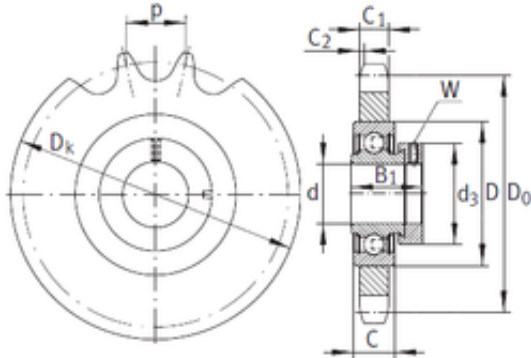




# LEDONG Machinery Co., Ltd.

## INA KSR20-B0-12-10-15-16 bearing units



Bearing No. KSR20-B0-12-10-15-16

|                 |          |
|-----------------|----------|
| Bore Diameter   | 20 mm    |
| d               | 20 mm    |
| Number of teeth | 15       |
| Do              | 91,6 mm  |
| Dk              | 99,2 mm  |
| d3              | 33 mm    |
| B1              | 31 mm    |
| C               | 14 mm    |
| C1              | 10,5 mm  |
| D               | 47 mm    |
| W               | 3 mm     |
| C2              | 1,5 mm   |
| Weight          | 0,47 Kg  |
| 1               | DIN 8187 |

KSR20-B0-12-10-15-16 Bearing 2D drawings and 3D CAD models