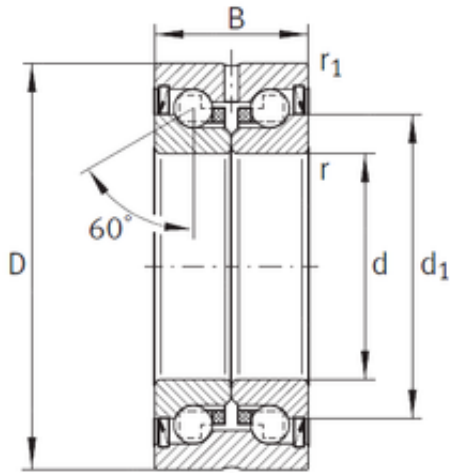




LEDONG Machinery Co., Ltd.



80 mm x 130 mm x 45 mm INA ZKLN80130-2Z thrust ball bearings

Bearing No. ZKLN80130-2Z

ZKLN80130-2Z Bearing 2D drawings and 3D CAD models

Size	80x130x45 mm
Bore Diameter	80 mm
Outer Diameter	130 mm
Width	45 mm
d	80 mm
D	130 mm
B	45 mm
C	45 mm
Angle (?)	60 °
d1	105 mm
r min.	0,6 mm
r1 min.	0,6 mm
Weight	2,7 Kg
Basic dynamic load rating (C)	91 000 kN
Basic static load rating (C0)	265 000 kN
Category	Angular Contact Ball Bearings
Inventory	0.0
Manufacturer Name	SCHAEFFLER GROUP
Minimum Buy Quantity	N/A
Weight / Kilogram	3.233
EAN	4054366006370
Product Group	B00152
Enclosure	2 Metal Shields
Flush Ground	No



LEDONG Machinery Co., Ltd.

Rolling Element	Ball Bearing
Number of Rows of Balls	Double Row
Precision Class	ABEC 1 ISO P0
Maximum Capacity / Filling Slot	No
Snap Ring	No
Cage Material	Plastic
Contact Angle	60 Degree
Internal Clearance	C0-Medium
Number of Bearings	1 (Single)
Inch - Metric	Metric
Long Description	80MM Bore; 130MM Outside Diameter; 45MM Width; 2 Metal Shields; No Flush Ground; Ball Bearing; Double Row of Balls; ABEC 1 ISO P0; No Filling Slot; No Snap Ring; C0-Medium; Plastic Cage; 60 Degree;
Other Features	With Fixing Holes
Category	Angular Contact Ball Bearing
UNSPSC	31171531
Harmonized Tariff Code	8482.10.50.28
Noun	Bearing
Keyword String	Angular Contact
Manufacturer URL	http://www.ina.com
Weight / LBS	5.95247
Bore	3.15 Inch 80 Millimeter
Outside Diameter	5.118 Inch 130 Millimeter
Width	1.772 Inch 45 Millimeter