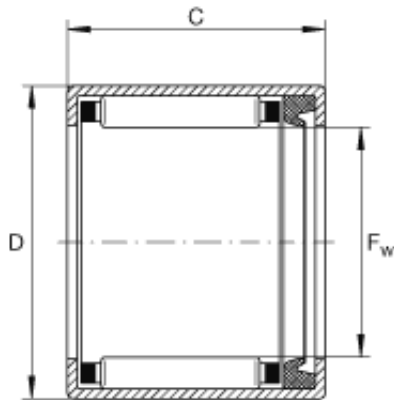




# LEDONG Machinery Co., Ltd.



## INA SCH1413-P needle roller bearings

Bearing No. SCH1413-P

Size	22.225x30.162x20.638 mm
Bore Diameter	22,225 mm
Outer Diameter	30,162 mm
Width	20,638 mm
F <sub>w</sub>	7/8 inch
F <sub>w</sub>	22,225 mm
D	1,188 inch
D	30,162 mm
C	0,813 inch
C	20,638 mm
m	0,075 lbs / Weight
m	34 g / Weight
C <sub>r</sub>	4400 lbf / Dynamic load rating (radial)
C <sub>r</sub>	19600 N / Dynamic load rating (radial)
C <sub>0r</sub>	6070 lbf / Static load rating (radial)
C <sub>0r</sub>	27000 N / Static load rating (radial)
n <sub>G</sub>	11100 1/min / Limiting speed
Category	Roller Bearings
Inventory	0.0
Manufacturer Name	SCHAEFFLER GROUP
Minimum Buy Quantity	N/A
Weight / Kilogram	0.038

SCH1413-P Bearing 2D drawings and 3D CAD models



# LEDONG Machinery Co., Ltd.

Product Group	B04144
---------------	--------