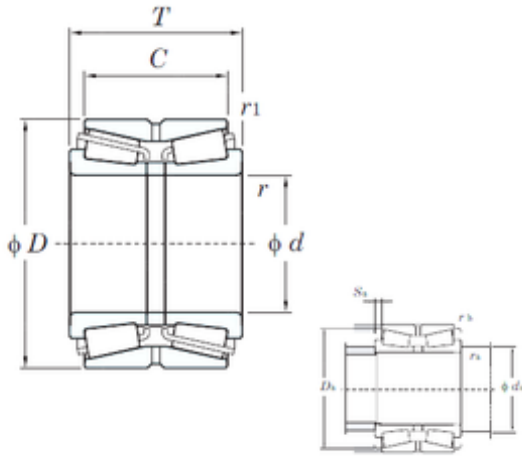




LEDONG Machinery Co., Ltd.



KOYO 46360A tapered roller bearings

Bearing No. 46360A

Size	300x500x200 mm
Bore Diameter	300 mm
Outer Diameter	500 mm
Width	200 mm
d	300 mm
D	500 mm
T	200 mm
C	160 mm
r min.	6 mm
r1 min.	2 mm
da min.	328 mm
Da min	466 mm
ra max.	5 mm
rb max.	2 mm
Weight	144 Kg
Basic dynamic load rating (C)	2270 kN
Basic static load rating (C0)	4630 kN
(Grease) Lubrication Speed	470 r/min
(Oil) Lubrication Speed	630 r/min
Calculation factor (e)	0,35
Calculation factor (Y0)	1,91
Bearing No.	46360A
r(min)	6
r1(min)	2
Cr	2860
C0r	4630

46360A Bearing 2D drawings and 3D CAD models



LEDONG Machinery Co., Ltd.

Cu	231
Grease lub.	470
Oil lub.	630
da(min)	328
Da(min)	490
Sa(min)	20
ra(max)	5
rb(max)	2
e	0.35
Y2	1.95
Y3	2.90
Y0	1.91
(Refer.) Mass(kg)	144