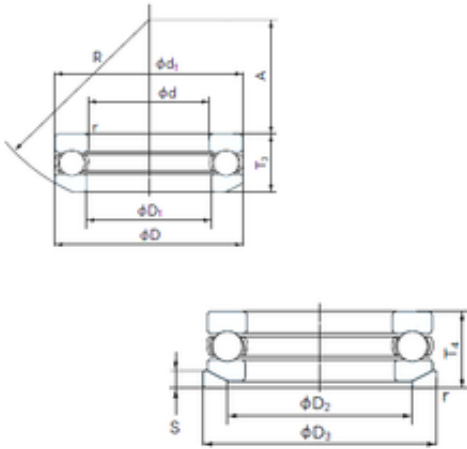




LEDONG Machinery Co., Ltd.

NACHI 53206U thrust ball bearings

Bearing No. 53206U



53206U Bearing 2D drawings and 3D CAD models

Size	30x52x20 mm
Bore Diameter	30 mm
Outer Diameter	52 mm
Width	20 mm
d	30 mm
D	52 mm
T	20 mm
d1	52 mm
r min.	0.6 mm
A	22 mm
D1	32 mm
D2	42 mm
D3	55 mm
R	45 mm
S	5.5 mm
Weight	0.195 Kg
Basic dynamic load rating (C)	29,3 kN
Basic static load rating (C0)	58 kN
(Grease) Lubrication Speed	3400 r/min