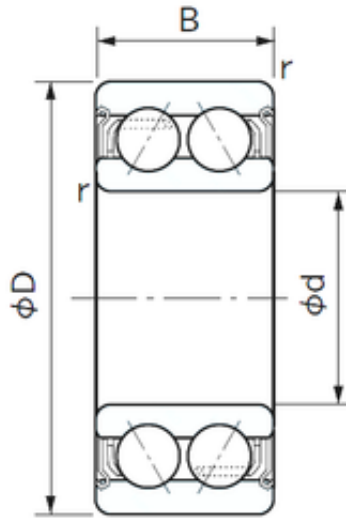




LEDONG Machinery Co., Ltd.



30 mm x 62 mm x 23.8 mm NACHI 5206AZZ
angular contact ball bearings

Bearing No. 5206AZZ

5206AZZ Bearing 2D drawings and 3D CAD models

Size	30x62x23.8 mm
Bore Diameter	30 mm
Outer Diameter	62 mm
Width	23.8 mm
d	30 mm
D	62 mm
B	23.8 mm
C	23.8 mm
r min.	1 mm
Weight	0.290 Kg
Basic dynamic load rating (C)	24,4 kN
Basic static load rating (C0)	17,7 kN
Enclosure	Double Shield
Configuration	Double Row
Bore Type	Cylindrical Bore
Bore Size	30 mm
Outside Diameter	62 mm
Width	23.8 mm
Fillet Radius/Chamfer	1 mm
Dynamic Load Rating	24,400 N
Static Load Rating	17,700 N
Limiting Speed - Oil	7,000 rpm
Radial Clearance	0.005 to 0.020 mm
da	36 mm
Da	56 mm



LEDONG Machinery Co., Ltd.

ra	1 mm
----	------