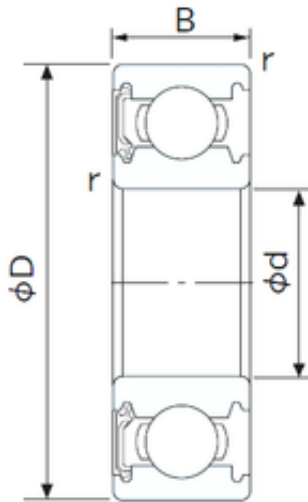




LEDONG Machinery Co., Ltd.



70 mm x 110 mm x 20 mm NACHI 6014NSE
deep groove ball bearings

Bearing No. 6014NSE

Size	70x110x20 mm
Bore Diameter	70 mm
Outer Diameter	110 mm
Width	20 mm
d	70 mm
D	110 mm
B	20 mm
C	20 mm
r min.	1.1 mm
da min.	76 mm
Da max.	104 mm
ra max.	1.0 mm
Weight	0.607 Kg
Basic dynamic load rating (C)	38 kN
Basic static load rating (C0)	31 kN
(Grease) Lubrication Speed	3500 r/min

6014NSE Bearing 2D drawings and 3D CAD models