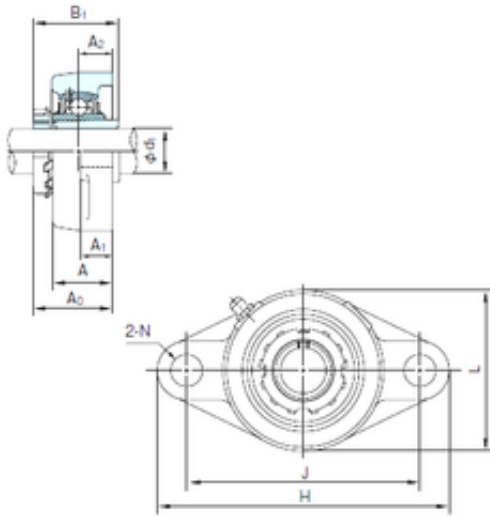




LEDONG Machinery Co., Ltd.

NACHI UKFL307+H2307 bearing units

Bearing No. UKFL307+H2307



UKFL307+H2307 Bearing 2D drawings and 3D CAD models

Bore Diameter	30 mm
d1	30 mm
A0	44.5 mm
A	36 mm
A1	16 mm
B1	43 mm
H	185 mm
J	141 mm
L	100 mm
L1	104 mm
N	23 mm
Bolt (G)	M20
A2	20 mm