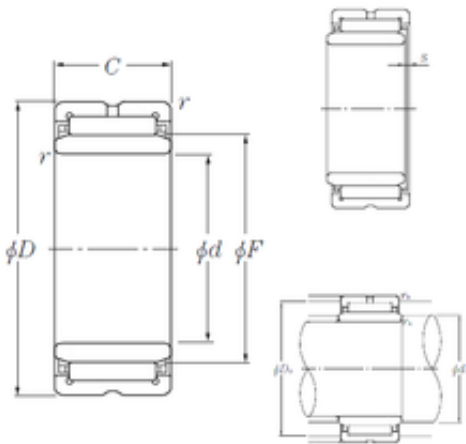




# LEDONG Machinery Co., Ltd.



## 45 mm x 68 mm x 30 mm NTN NA5909 needle roller bearings

Bearing No. NA5909

NA5909 Bearing 2D drawings and 3D CAD models

Size	45x68x30 mm
Bore Diameter	45 mm
Outer Diameter	68 mm
Width	30 mm
d	45 mm
F	52 mm
D	68 mm
B	30 mm
C	30 mm
r min.	0,6 mm
s	1 mm
da min.	49 mm
Da max.	64 mm
ra max.	0,6 mm
Weight	0,396 Kg
Basic dynamic load rating (C)	56 kN
Basic static load rating (C0)	101 kN
(Grease) Lubrication Speed	5 000 r/min
Category	Roller Bearings
Inventory	0.0
Manufacturer Name	NTN
Minimum Buy Quantity	N/A
Weight / Kilogram	0.385
EAN	4547359113723
Product Group	B04144



**LEDONG Machinery Co., Ltd.**